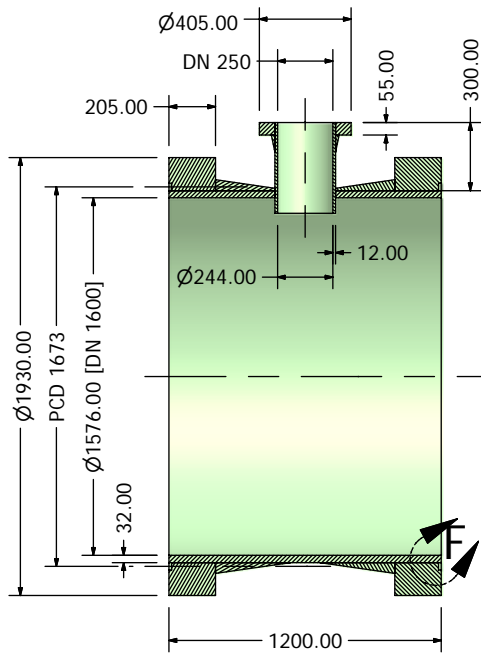
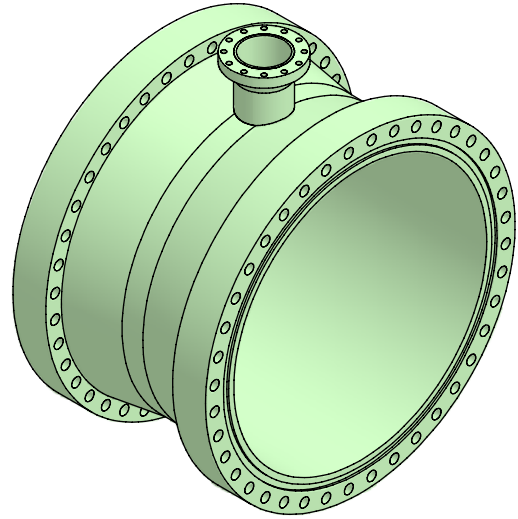
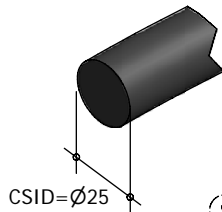


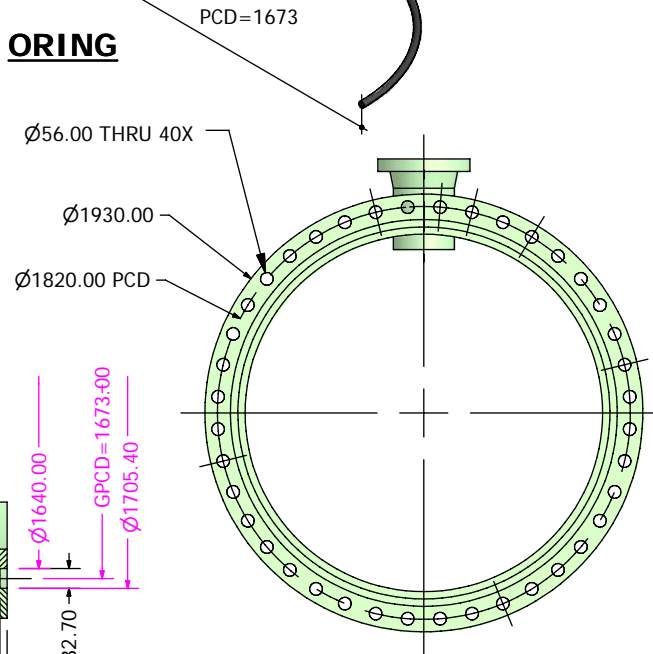
PLAN
SCALE 0.03 : 1



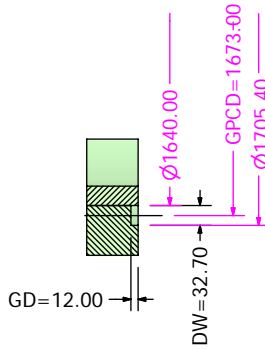
SECTION A-A
SCALE 0.03 : 1



ORING



END VIEW
SCALE 0.03 : 1



**GROOVE
DETAIL F**
SCALE 0.08 : 1

DRAWN	Ber	3/4/2007	TITLE	
CHECKED				
QA				
MFG				
APPROVED				
			GRP TEE (FLG/FLG) HD=DN 1600 x 1200L BR=DN 250 x 300	
SIZE	A4	DWG NO		
		D:\BerNewBackup\GRPDiv\SPOOL\TEE SE-96\TEE ASSY.idw		
SCALE			SHEET 1 OF 1	