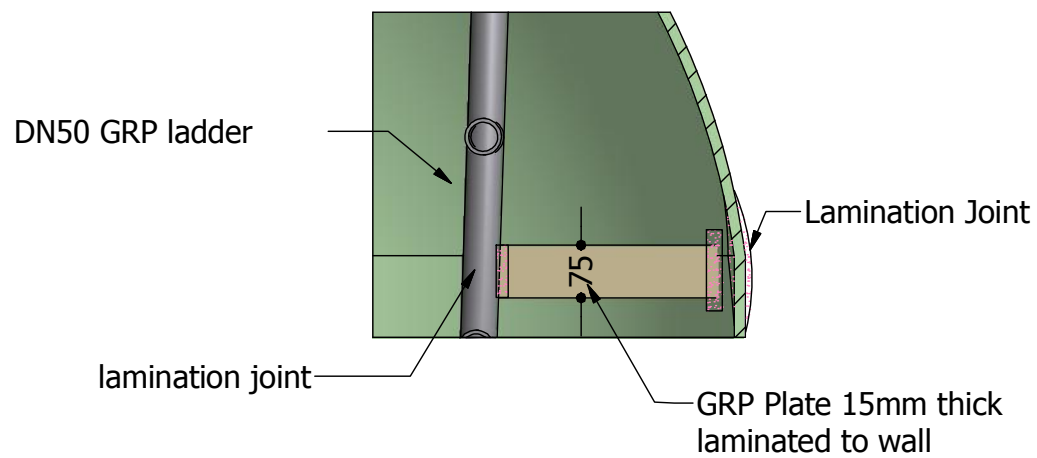
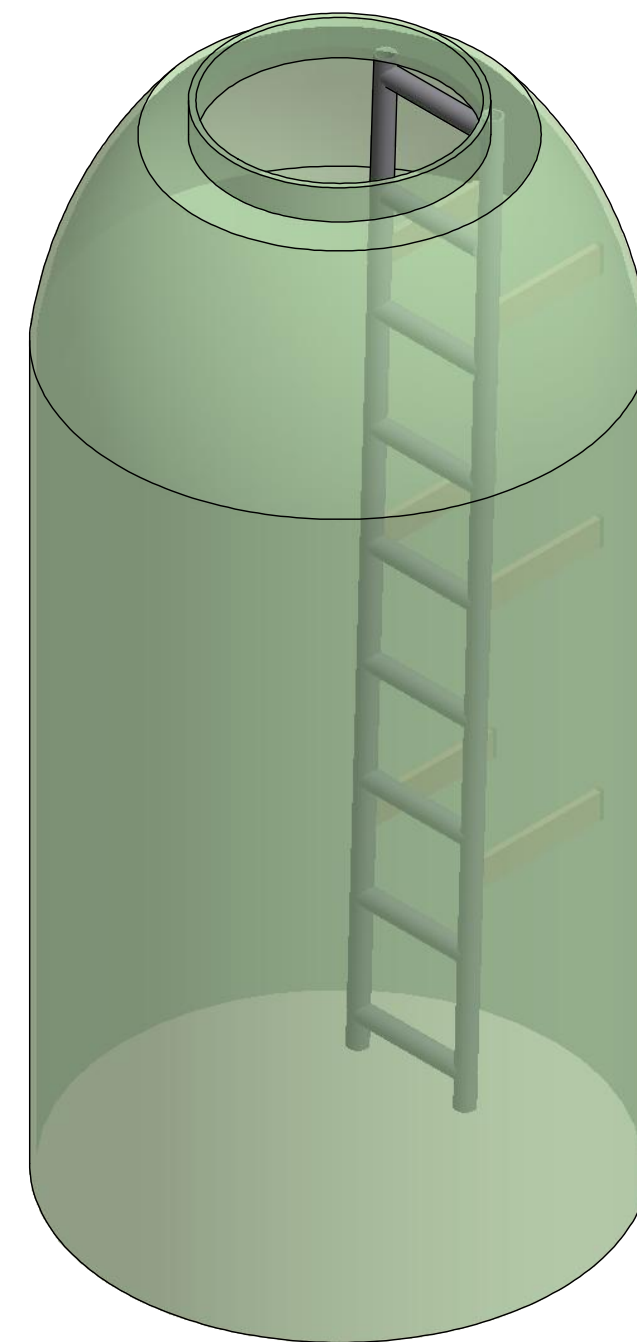


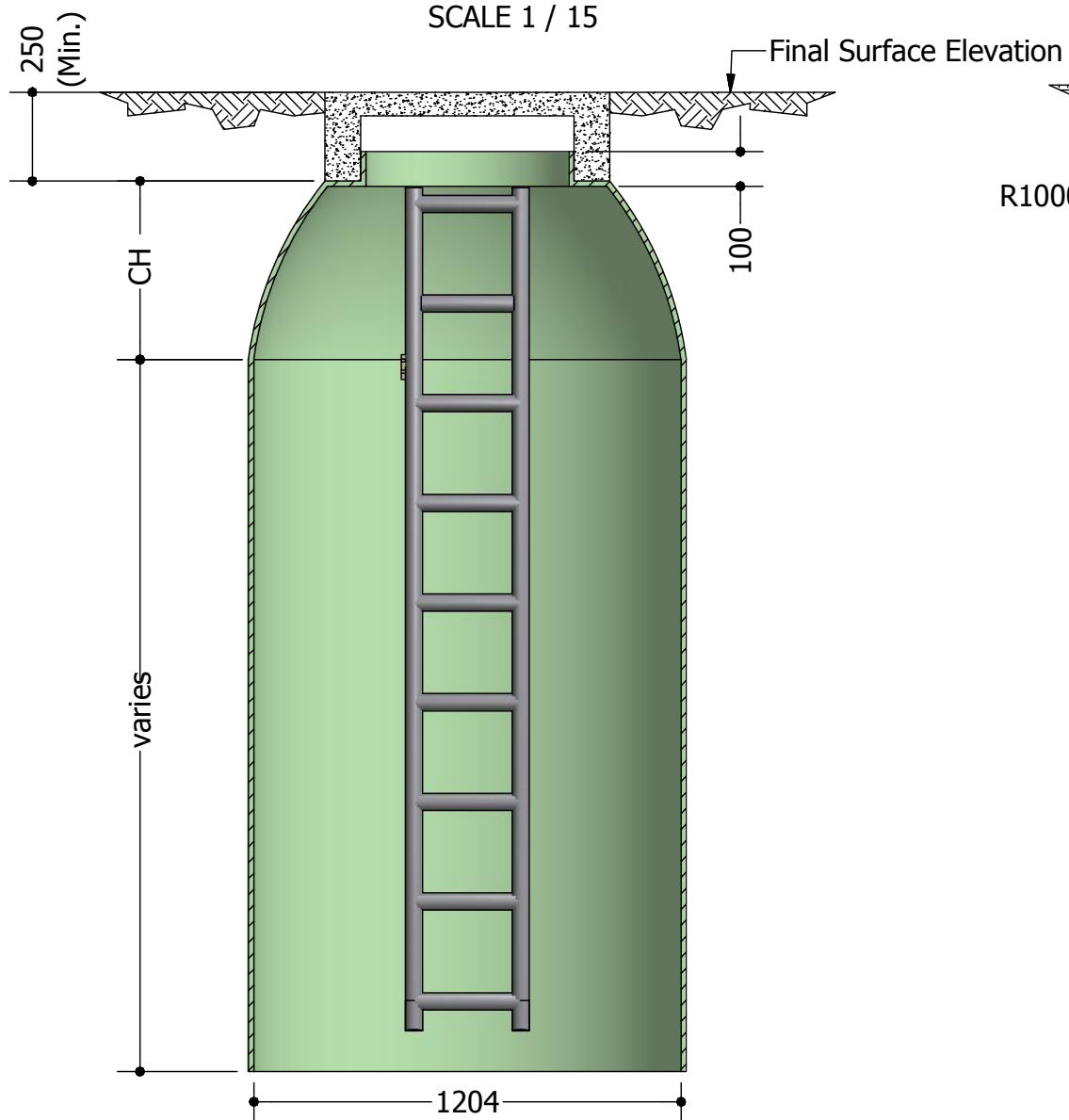
TOP VIEW
SCALE 1 / 15



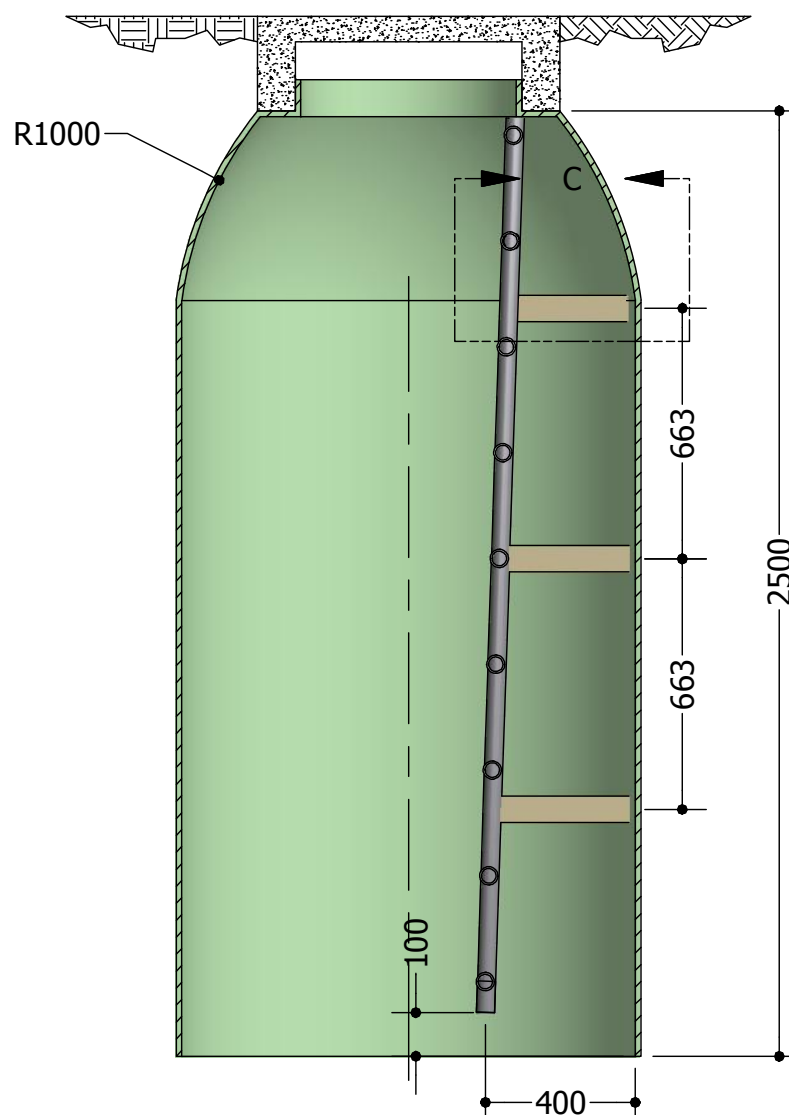
DETAIL C
SCALE 1 / 10



ISOMETRIC
SCALE 1 / 15



SECTION A-A
SCALE 1 / 20



SECTION B-B
SCALE 1 / 20

Project			
Client		Customer	
Title		1200 FRP STRUCTURAL MANHOLE	
SIZE	DWG NO	Date	REV
A3	GRP-MP-071113-1	July-11-06	0
SCALE			